

IMPORTANT

IMPORTANT! PLEASE READ:

All Craftmade lighting fixtures are prepared with a durable lacquer finish or a powder-coated/painted finish. Your proper care of lighting fixtures (see below) will enhance both the life and appearance of the lighting fixtures. Post treatments, such as clear lacquer, are not recommended.

PROPER CARE

In order to maximize the appearance of a Craftmade brass lighting fixture, it is important that dust and debris is removed from the surface of the lighting fixture periodically. It is recommended that the lighting fixtures be wiped down weekly using a soft, dry or damp cloth.

DO NOT use any abrasives such as car wax, brass cleaners or other polishes, glass cleaners or chemicals, as this will scratch/remove/damage the protective coating, allowing moisture and pollutants to come in contact with the brass, which will result in discoloration and pitting.

ALL Craftmade cast aluminum lighting fixtures receive a durable powder coat finish, which enhances the durability of the lighting fixture. This finish should also be wiped down weekly with a soft, dry or damp cloth to remove the dust and debris that will accumulate on the surface. DO NOT use any abrasives such as car wax, brass cleaners or other polishes, glass cleaners or chemicals as this may damage the finish.

FAILURE TO FOLLOW THE ABOVE CARE INSTRUCTIONS WILL VOID THE WARRANTY OF THE LIGHTING FIXTURE.

For information regarding replacement parts, please write to:
Craftmade, P.O. Box 1037, Coppell, TX 75019

Please send the following information...

1. The Model Number and Finish – Polished, Antique, White, etc.
2. The name of the part – if you have a parts problem.
3. Your name, mailing address and phone number (with area code).

LIMITED WARRANTY

Craftmade warrants against defects in materials or workmanship for a period of ONE (1) YEAR from date of purchase for use, and agrees to repair or, at our option, replace a defective unit without charge. Brass finish is covered 90 days from purchase date.

IMPORTANT: This Warranty does not cover damage resulting from accident, misuse or abuse, lack of reasonable care (see above), the affixing of any attachment not provided with the product, alteration of any attachments factory installed, loss of parts or subjecting the fixture to any but the specified electrical service. This warranty does not cover failure of bulbs due to accidents, abuse, misuse, vandalism, power surges, and acts of nature such as lightning damage or any bulbs purchased separately and installed by the consumer or any damage to the fixture caused by a separately purchased bulb.

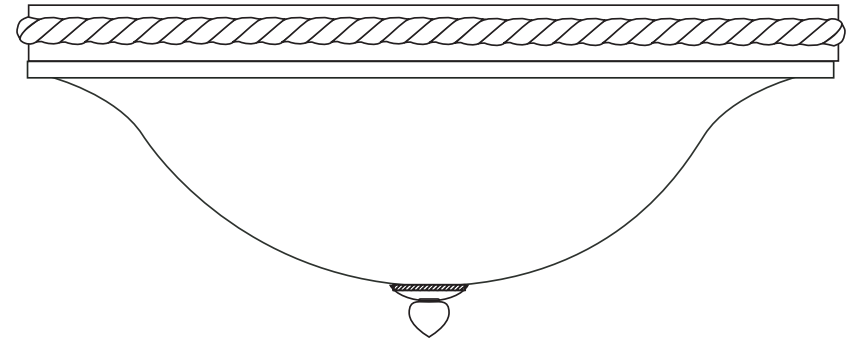
No responsibility is assumed for any special incidental or consequential damages. Damages occurring during transit are not covered by this warranty.

To obtain warranty service, mail sales receipt as proof of purchase-date, and a brief explanation of the nature of the defect, to P.O. Box 1037, Coppell, TX 75019. You will receive, by mail, a Return Goods Authorization number issued by Craftmade, and returned freight prepaid.

For Installation or Technical Support, call 1-800-486-4892, 8 a.m. - 5 p.m., Central Time, Monday-Friday.

CRAFTMADE
air • light • sound

Flushmount Installation Guide



CAUTION

Disconnect Power

Always shut off power at the circuit breaker or disconnect fuse when installing or repairing this, or any other electric appliance.

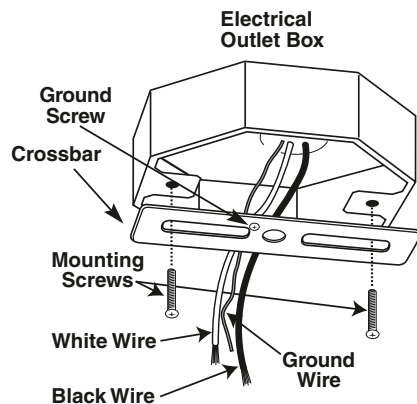
FAILURE TO
DO SO MAY
RESULT IN
SEVERE
INJURY
OR DEATH.



Prepare Fixture and Ceiling Outlet

- Disconnect Power at main electrical panel before your installation
- Prepare outlet box by pulling black, white and ground wires out of electrical outlet box. (See example in Diagram A)
- Mount crossbar to electrical outlet box using mounting screws supplied with your outlet box.
- Move wires to the side of the cross bar so you will be ready to attach them to the fixture wires.

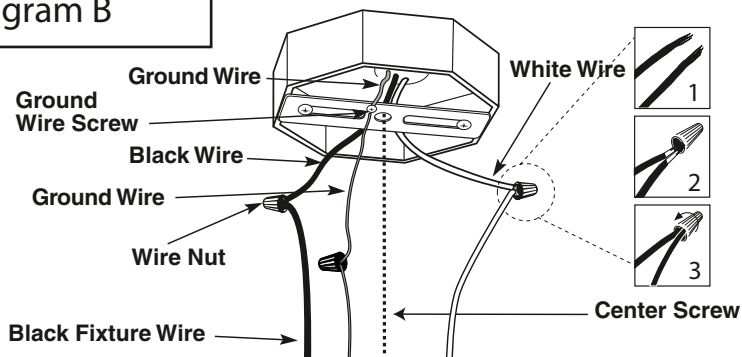
Diagram A



Wire Fixture to Outlet

- Twist together white fixture wire with white outlet wire. Next, twist together black fixture wire with black outlet wire. Use wire nuts (which should be included in your junction box) to secure connections.
- Connect fixture ground wire (if provided) and outlet ground wire to ground screw on crossbar as shown in diagrams, by first wrapping outlet ground wire around ground screw, tightening ground screw, leaving approximately 2 to 3 inches in excess beyond ground screw. Finally twist together outlet ground wire with fixture ground wire using wire nut.

Diagram B

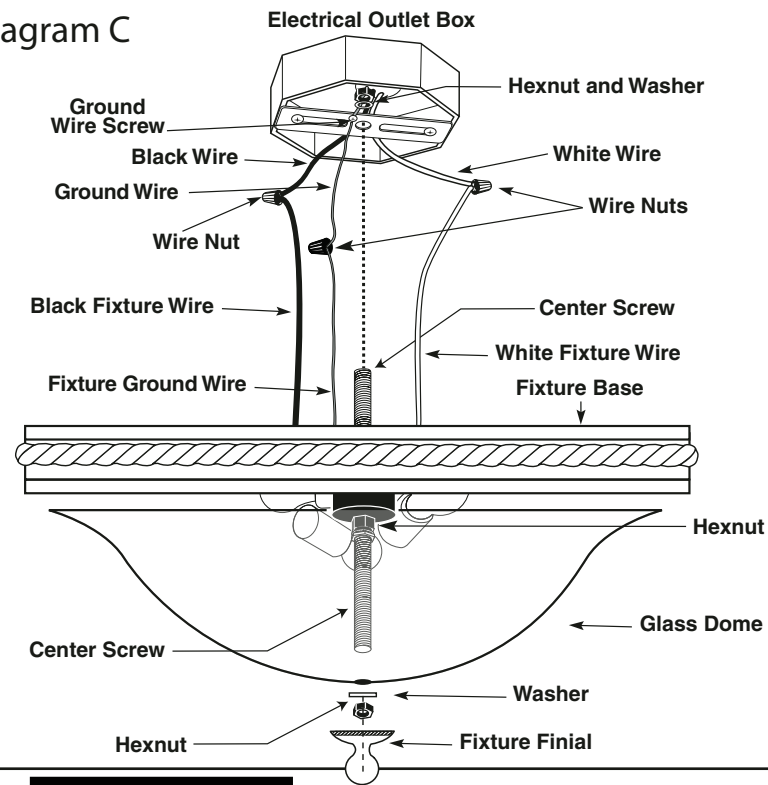


E2

Completing Flush Mount Installation

- Remove glass dome by unscrewing finial, hexnut and washer on the fixture. Set dome to the side.
- Raise fixture and tuck wires back into the electrical box.
- While fixture is raised, insert center screw from the light fixture into the crossbar and turn screw until it is 1/2 inch into crossbar. Place washer on top of center screw and tighten the hexnut. Then turn center screw from bottom so that the fixture will be secure and then tighten hexnut near light bulbs.
- Install bulb(s) before adding glass dome. Insert medium brass based bulbs into fixture.
- Raise glass over center screw. Put washer over center screw and then slowly screw on hexnut. Be very careful not to over-tighten as excess pressure may cause glass to break. Place fixture finial over center screw and tighten.

Diagram C



Troubleshooting

If fixture does not work:

- Turn off electrical power and check all wire connections.
- Check fuse or circuit breaker and replace if necessary.
- Check to make sure light bulb is in working order.

E3